

Measurement Solutions 1000 Series Pressure Transducers Amplified Output



Pressure measurement ranges (PSI):

Vacuum, 15, 20, 50, 100, 250, 500, 1000, 2500, 5000, 10K, 20K (other ranges available).
Reference: Absolute, Gauge, Compound, or, Sealed Gauge.

Specifications:

Excitation: 12-36 VDC;
Output: 0-5 VDC; 0-10 VDC; 4-20 mA;
Accuracy: +/- 0.25%, or, +/-0.5% FS (RSS non-linearity, non-repeatability, & hysteresis);
Over-Pressure: 150% FS;
Response Time: 20 mSec;
Thermal Effects: Zero / Span shift: 0.02%FS / F (over +10 to +165 F).
Long-term Stability: 0.2%FS / 1 year
Fatigue Life: 100 Million Cycles.
Vibration: 20G max to 1000 Hz.

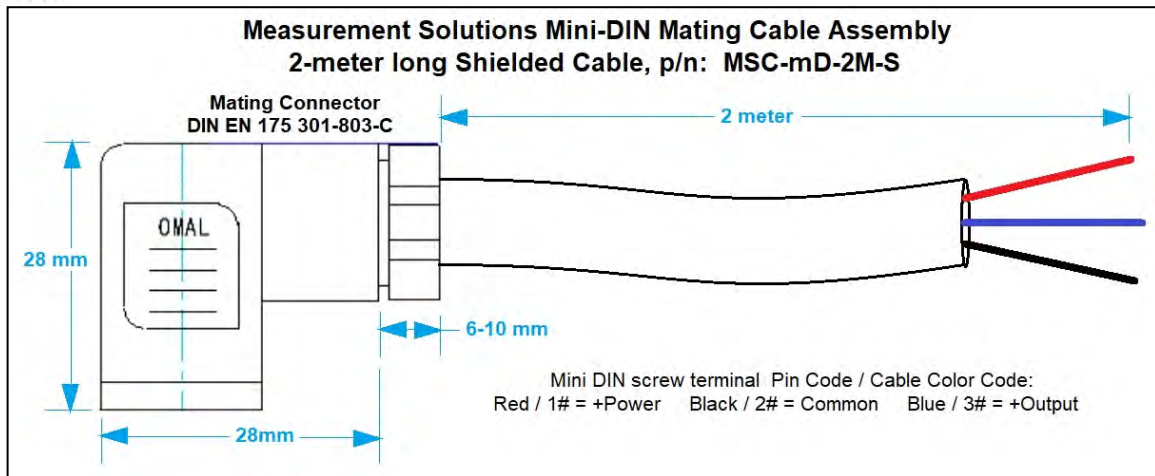
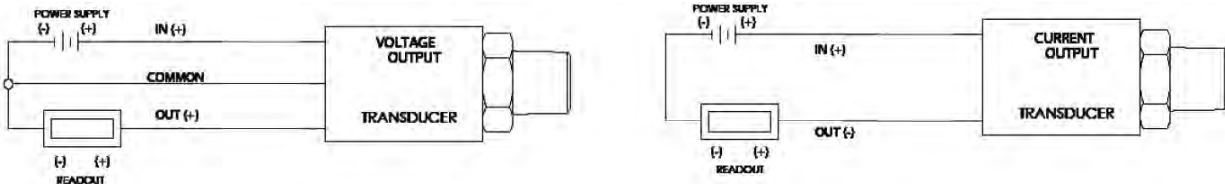
Pressure port:

Thread: 1/4", or, 1/8" NPT Male (other ports available);
Wetted materials: Stainless Steel or Ceramic, with FKM (Viton) O-Ring;
or, all Stainless Steel, Welded (no O-Ring).

Electrical: (other connectors available).

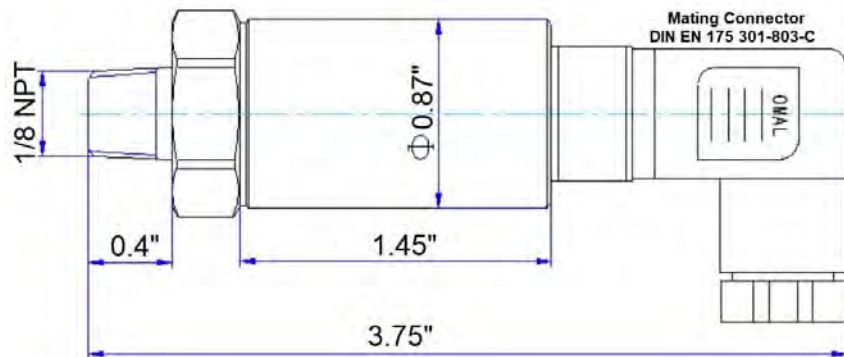
M12: Circular M12X1;
mDN: Mini DIN, with screw terminals. Pin Code: 1 +Power, 2 -Common, 3 +Output;
2M: Cable Gland. Color Code: Red = +Power, Blue = +Signal, Black = Common;

Wiring diagram:



Dimensions (Typical, depending on exact p/n):

104 mm Max length (including pressure port & mating connector) x 22 mm diameter.



Ordering Information:

MSPT10[sensor]-[range][reference]-[output]-[fitting]-[electrical]-[option1]-[option2]

Example 1: Welded Stainless, 10000 PSI range, Sealed Gauge reference, 0-5 VDC output,
 1/4" NPT Male pressure port, Mini-DIN connector with mate, and, 0.25% error band:

P/N: MSPT10W-10KPSG-05V-14NM-mDM-0.25

Example 2: Ceramic, -14.7 to +50 PSI range, Compound reference, 4-20 mA output,
 1/4" NPT Male pressure port, 2 meter long cable, and, 0.5% error band:

P/N: MSPT10-50PC-420A-18NM-2M-0.5