



# Measurement Solutions

## MSST10 Series Pressure Transducers

### Low Power / Fast Response



**MSST10 series is a 'Low Power' and 'Fast Response' Pressure Transducer using a piezoresistive diffused silicon sensor, with all stainless-steel wetted parts.**

#### Pressure measurement ranges (PSI):

Vacuum (-15), 15, 30, 60, 100, 300, 500, 1K, 3K, 5K, 10K (other ranges available).

Reference: A: Absolute G: Gauge C: Compound SG: Sealed Gauge

(NOTE: for 'gauge' units, do NOT remove circular moisture barrier sticker on connector)

#### Specifications:

Excitation Voltage: 2.7 – 5.2 VDC;

Excitation Current: 2.5 mA maximum;

Output Signal: 0.1 – 2.1 VDC (option: 0.2 – 3.2; 0.5 – 4.5);

Accuracy: +/- 0.5% (option: 0.25%) FS (RSS non-linearity, non-repeatability, & hysteresis);

Over-Pressure: 150% FS (option: 200%, other);

Burst-Pressure: 200% (option: 300%, 500%, other);

Frequency Response: 1000 Hz (-3db);

Power-On Response: 0.3 mSec;

Total Error Band, including Thermal Effects: 0.75% FS / C, over 0 to +65 C (option: Improved);

Temperature Range: -40 to +65 C (option: up to 120 C, other);

Long-term Stability: 0.2% FS / year;

Fatigue Life: 10 Million Cycles;

Vibration: 20G max to 1000 Hz.

Pressure Port: 1/8" NPT Male (option: 1/4" NPT, SAE, AN, G1/4, etc...).

Mounting Torque: 20 Nm

Wetted materials: Stainless steel: 304 threaded port, 316L sensor diaphragm, welded (no O-Rings).

Electrical: (other connectors available).

2M: 2 meter integral Cable (with gland nut)

M12: Circular metric thread;

mDN: Mini DIN (with screw terminals);

P: Packard automotive (mates with Delphi 150)

Wiring diagram:

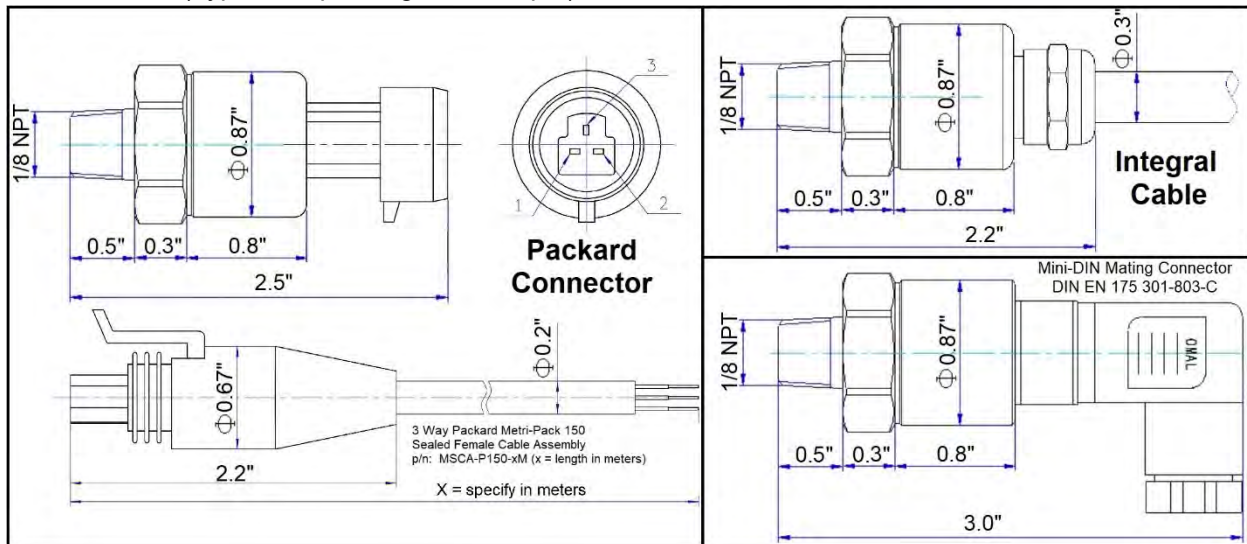
Cable: +Exc = RED; +Sig = Green; -Common = Yellow;

Mini-DIN: +Exc = 1; +Sig = 3; -Common = 2;

M12: +Exc = 1; +Sig = 2; -Common = 3;

Packard: +Exc = 1; +Sig = 3; -Common = 2;

Dimensions (Typical, depending on exact p/n):



Ordering Information:

MSST10-[range][reference]-[output]-[fitting]-[electrical]-[option1]-[option2]

Example 1: 100 PSI range, atmospheric reference, 0.1-2.2 VDC output (3 VDC input),

1/8" NPT Male pressure port, Packard connector, and, 0.25% error band:

P/N: MSST10-100PG-2V-18NM-P-0.25

Pricing: \$75 - \$149 each (for 10 piece order, and, depending on options).

Delivery: Stock to 4 weeks after receipt and approval of PO.

Payment Terms: Net 30 days OAC, PayPal, or, Credit Card

Please make Purchase Order, and, REMIT to:

Measurement Solutions  
 6042 E. Vermillion Cir.  
 Mesa, AZ 85215  
 480-897-0300  
[orders@measol.com](mailto:orders@measol.com)  
[www.MEASOL.com](http://www.MEASOL.com)

Specifications subject to change without notice