

Wire and Tube Thermocouples

Monitored Wafer

MW- [] - [] - [] X [] - []

| Circuits | |
|---------------|---|
| 1 point | 1 |
| 2 point | 2 |
| 3 point | 3 |
| 4 point | 4 |
| 5 point | 5 |

| Calibration | |
|-----------------------|---|
| Iron Constantan | J |
| Chromel Alumel | K |

| Wafer Diameter | |
|----------------|---|
| 4" wafer | 4 |
| 5" wafer | 5 |
| 6" wafer | 6 |
| 8" wafer | 8 |

| Termination* | |
|--------------|---|
| MCL | Mini Male (400F) \$5.50 |
| MCH | Mini Hi-Temp Male (800F) \$7.00 |
| MFL | Mini Female (400F) \$5.50 |
| MFH | Mini Hi-Temp Female (800F) \$7.00 |
| SPL | Spade Lugs \$3.50 |
| STR | 3/4" Stripped leads N/C |

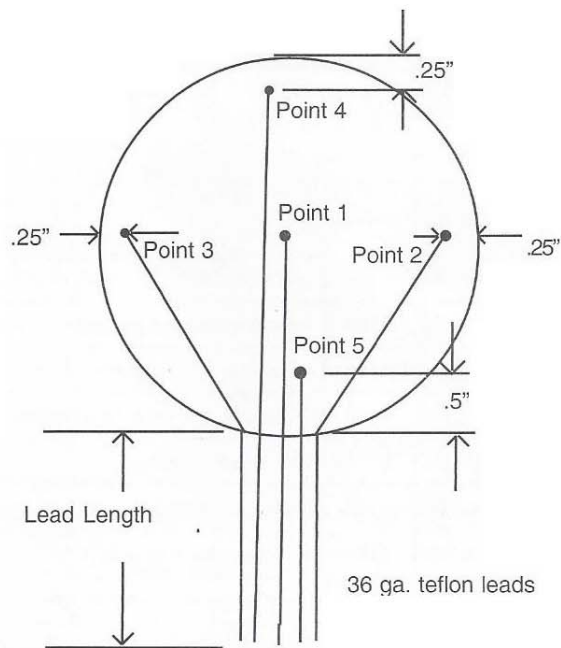
*Special connectors available. Call sales

| Leadwire Length |
|-------------------|
| Specify in inches |
| 01 to 99 inches |

- Continuous operating temperature 260°C
- Short term exposure 285°C
- Low mass, fast response thermocouple
- Special locations on request
- 36 gauge teflon leads are standard
- Customer supplied wafers can also be used (Consult sales for price)

| Wafer Size | Base Price (includes 1st point) | Per Point | Leads per foot x # pts. |
|------------|---------------------------------|-----------|-------------------------|
| 4" | \$65.00 | \$15.00 | .90 |
| 5" | \$75.00 | \$15.00 | .90 |
| 6" | \$90.00 | \$15.00 | .90 |
| 8" | \$140.00 | \$15.00 | .90 |

Termination: Add from table above x no. of points



Standard Layout
 Junctions are aligned vertically and horizontally from one another. Drawing shows points 1, 4 & 5 offset for illustration purposes only.